



Product details

09 06 000 8481

Female contacts

Contact gender	Female contacts
Wire gauge	Wire gauge: 0.14 - 0.56 mm ²
Performance Class	Performance level 2 as per IEC 60603-2
Packaging	Individual contacts
Application	browsing..
Type	Type MH
RoHS compliant	Yes

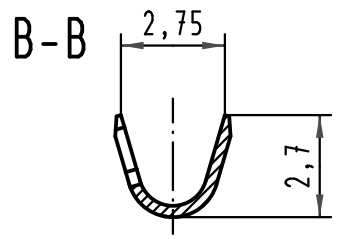
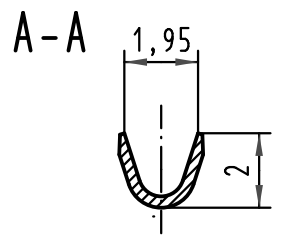
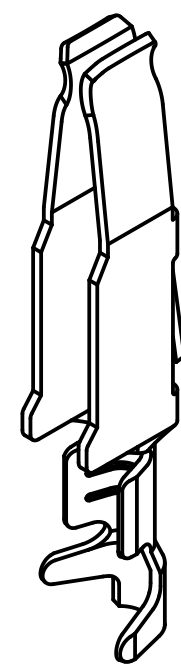
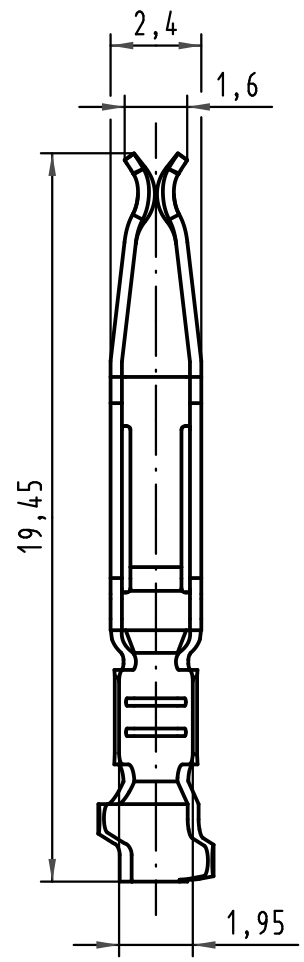
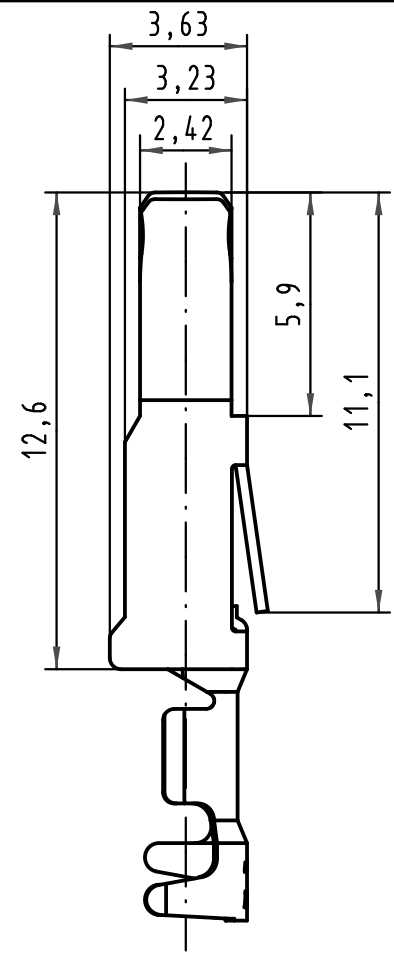
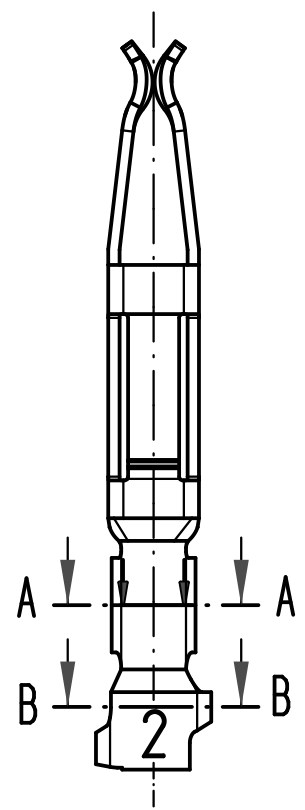
1 2 3 4 5 6

A

B

C

D



09 06 000 84 <u>8</u> 1	2
09 06 000 84 <u>7</u> 1	1
Bestell-Nr. part-no.	Anforderungsstufe nach IEC performance level acc.to IEC

All Dimensions in mm Original Size DIN A 4		Techn. Character. <i>complementary IEC 60603-2</i>		Nicht tolerierte Maßel Free size tolerances <i>complementary IEC 60603-2</i>	
		Dat.	Name	Maßstab/Scale	Bauform/type F-C crimp Federkontakt Crimpkontur 2 für 0,14 - 0,56mm ² Einzelkontakt female contact crimp contour 2 for 0,14 - 0,56mm ² single contact
		Detail.	17.01.06 Leh.		
		Insp.	17.01.06 Ge.		
35206	23.06.08 Hage.	Stand.		5 : 1	TB 09 06 000 84x1
34657	21.08.07 Hage.				
33227					
Mod.	Dat.	Name	HARTING Electronics GmbH & Co. KG D-32339 ESPELKAMP		Blatt/ page Sub.

